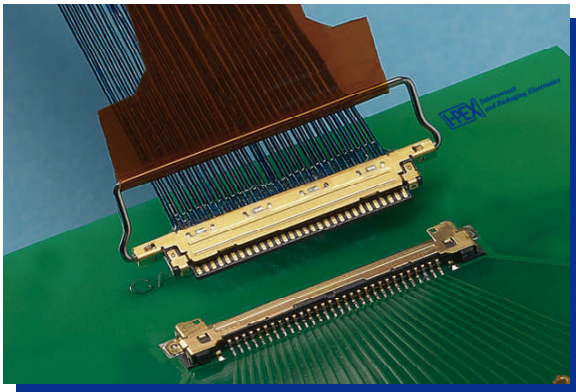


# CABLIN<sup>®</sup>-VS

0.5mm Pitch

Horizontal Type



- Mating Height : MAX. 1.1mm
- Improved transmission efficiency, High level EMI shield performance and multi point ground
- **W-Point** Contact with High mating reliability
- Anti-reverse mating design
- Locking bar prevents accidental unmating (Option)
- Soldering connection

### 【Applicable Cable Size】

Micro Coax	AWG #40, #42, #44 (AWG #36: Power Only)
DISCRETE	AWG #32, #34, #36
TWINCOAX	AWG #40

### 【Number of Position】

20p, 30p, 40p, 50p

### 【Ordering Code】

PLUG Connector Set (for Cable)

Parts Ordering (HOUSING)

**20454- 2 \*\* T (-01)**

① ② only 50pos

Parts Ordering (SHELL A)

**2574- \* \*\* 2**

③ ①

Parts Ordering (Pull bar)

**2576- \* \*\* - \*\***

④ ① ⑤

RECEPTACLE Connector Set

(for PC Board)

**20455- \*\*\* E - \* 6**

① ② ③

①	POS.	20: 20pos 30: 30pos 40: 40pos 50: 50pos	
②	Packaging	T	Tray
③	DATUM MARK	0	With
		1	Without
④	INSULATION COAT	0	Without
		1	With
⑤	Packing Quantity	-	60,000pcs
		00	20,000pcs

①	POS.	A20: 20pos 030: 30pos 040: 40pos 050: 50pos	
②	Packaging	E	Emboss Tape
③	DATUM MARK	6	With
		7	Without

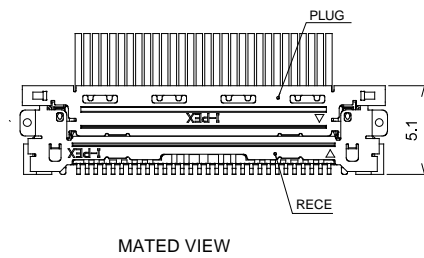
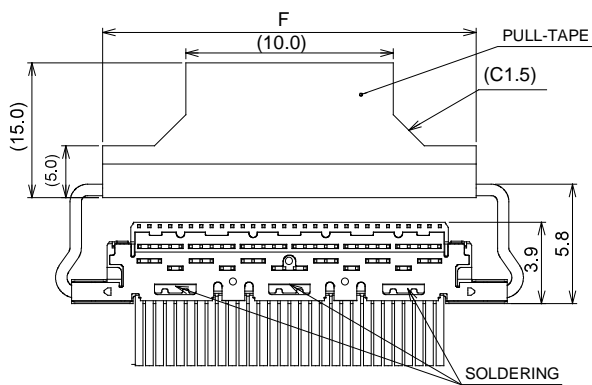
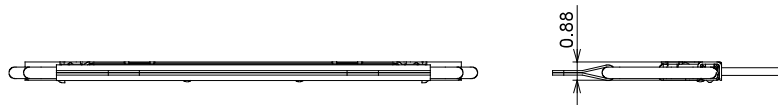
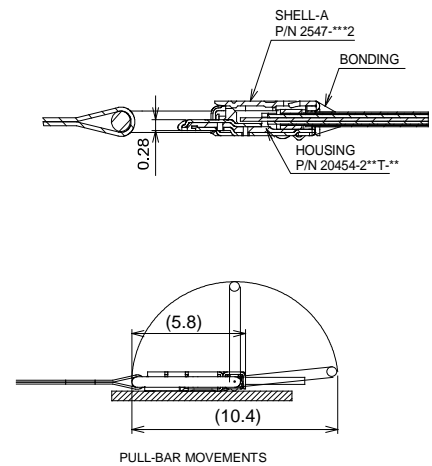
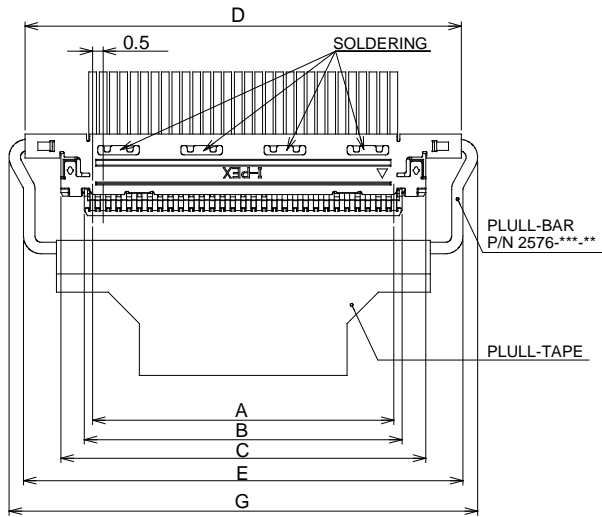
### 【Recommended P/N】

POS.	HOUSING	SHELL A	PULL BAR	PLUG Set	RECEPTACLE
20	20454-220T	2574-1202	2576-020-00	20453-220T-11	20455-A20E-76
30	20454-230T	2574-1302	2576-030-00	20453-230T-11	20455-030E-76
40	20454-240T	2574-1402	2576-040-00	20453-240T-11	20455-040E-76
50	20454-250T-01	2574-1502	2576-050-00	20453-250T-11S	20455-050E-76

**PLUG**

Set P/N: 20453-2\*\*T-\*\*\*

POS.	A	B	C	D	E	F	G
20	9.50	10.30	12.56	16.00	16.15	13.00	17.55
30	14.50	15.30	17.56	21.00	21.15	18.00	22.55
40	19.50	20.30	22.56	26.00	26.15	23.00	27.55
50	24.50	25.30	27.56	31.00	31.15	28.00	32.55



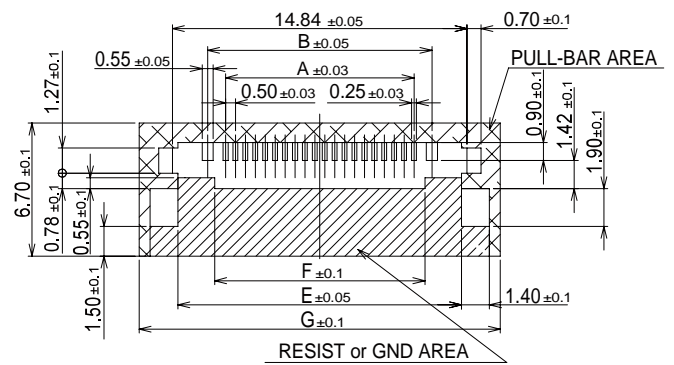
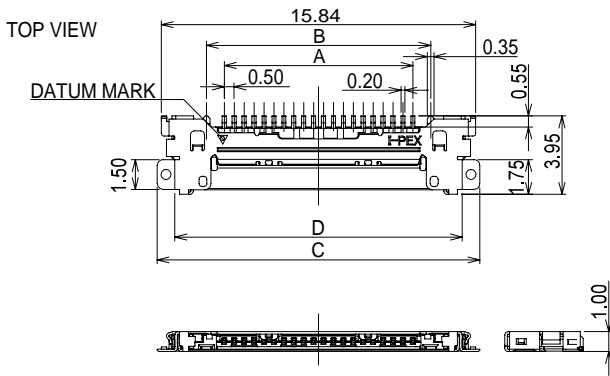
**Material / Finish**

HOUSING	LCP UL94V-0	BLACK
CONTACT	COPPER ALLOY	Au
SHELL A	COPPER ALLOY	Au
SHELL B	COPPER ALLOY	Au
PULL BAR	STAINLESS STEEL	-

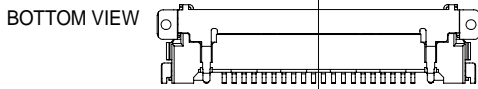
**RECEPTACLE**

POS.	A	B	C	D	E	F	G
20	9.50	11.30	16.25	14.47	14.30	10.60	18.20
30	14.50	16.30	21.25	19.47	19.30	15.60	23.20
40	19.50	21.30	26.25	24.47	24.30	20.60	28.20
50	24.50	26.30	31.25	29.47	29.30	25.60	33.20

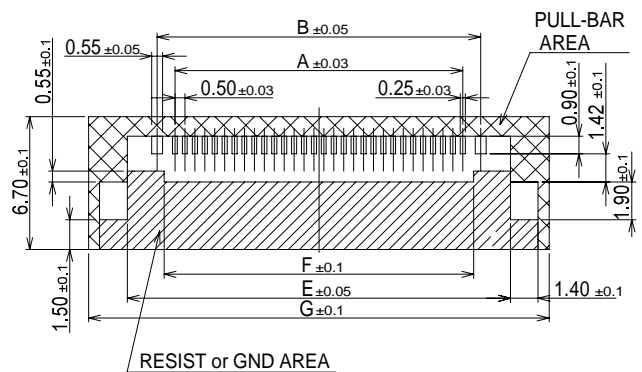
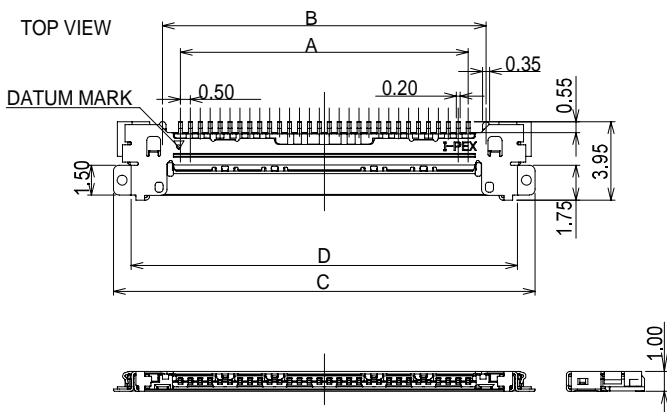
20455-A20E-\*6 (20pin)



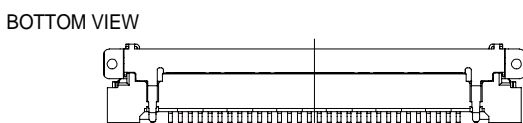
RECOMMENDED FOOTPRINT PATTERN



20455-0\*\*E-\*6 (30pin, 40pin, 50pin)



RECOMMENDED FOOTPRINT PATTERN



Material / Finish

HOUSING	LCP UL94V-0	BLACK
CONTACT	COPPER ALLOY	Au
SHELL	COPPER ALLOY	Au