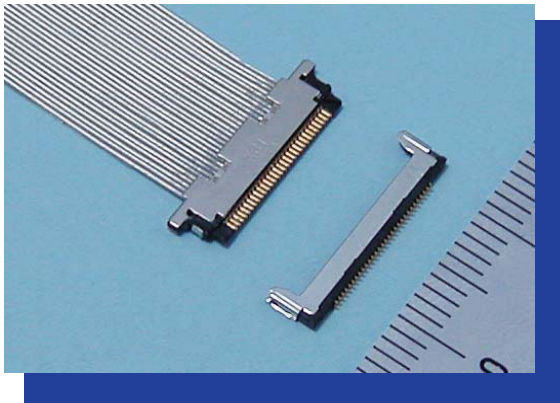


CABLIN[®] V

0.4mm Pitch Horizontal Type



- Ultra low profile : 1.0mm maximum of mating height
- Mating depth : 5.65mm, Connector width : 16.8mm (30p)
- Impedance matching and EMI performance with METAL SHELL
- Stable mating with housing lock mechanism.
- Soldering connection

【Number of Position】

10p, 15p, 20p, 25p, 30p, 35p, 40p

【Ordering Code】

PLUG Connector Set (for Cable)

Parts Ordering (HOUSING)

20346- 0 ** T- * 2 *
 ① ② ③ ⑤

Parts Ordering (SHELL A)

2047-0 ** *
 ① ④

RECEPTACLE Connector Set
 (for PC Board)

20347- * ** E- * *
 ① ② ③ ④ ⑥

【Applicable Cable Size】

Micro Coax	AWG #40, #42, #44
TWINCOAX	AWG #40
DISCRETE	AWG #36

①	POS.	10:10pos. 15:15pos. 20:20pos. 25:25pos. 30:30pos. 35:35pos. 40:40pos.		
②	Packaging	T	Tray	
③	SHELL B Plating and Lock	1	Sn	Without LOCK
		3	Sn	With LOCK
④	SHELL A Plating	3	Sn	
⑤	Red-P	-	Not Compliant	
		R	Red Phosphorus Free	

①	SHELL Plating and Lock	1	Sn	Without LOCK
		3	Sn	With LOCK
②	POS.	10:10pos. 15:15pos. 20:20pos. 25:25pos. 30:30pos. 35:35pos. 40:40pos.		
③	Packaging	E	Emboss Tape	
④	Nickel Barrier	0	Without	
		1	With	
⑥	BOSS	1	With	
		2	Without	

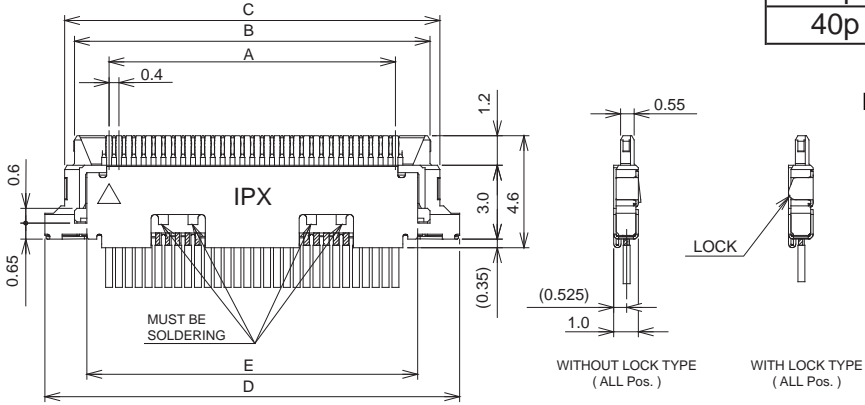
【Recommended P/N】

POS.	HOUSING	Shell A	PLUG Connector Set	RECEPTACLE
10	20346-010T-32R	2047-0103	20345-010T-32R	20347-310E-12R
15	20346-015T-32R	2047-0153	20345-015T-32R	20347-315E-12R
20	20346-020T-32R	2047-0203	20345-020T-32R	20347-320E-12R
25	20346-025T-32R	2047-0253	20345-025T-32R	20347-325E-12R
30	20346-030T-32R	2047-0303	20345-030T-32R	20347-330E-12R
35	20346-035T-32R	2047-0353	20345-035T-32R	20347-335E-12R
40	20346-040T-32R	2047-0403	20345-040T-32R	20347-340E-12R

PLUG

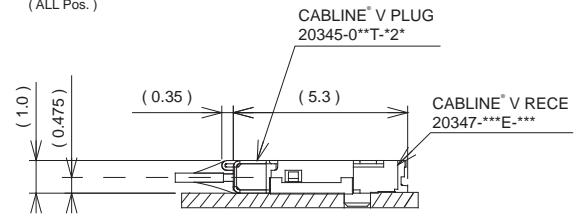
Set P/N : 20345-0**T-*2*

POS.	A	B	C	D	E
10p	3.6	6.4	7.2	8.8	5.4
15p	5.6	8.4	9.2	10.8	7.4
20p	7.6	10.4	11.2	12.8	9.4
25p	9.6	12.4	13.2	14.8	11.4
30p	11.6	14.4	15.2	16.8	13.4
35p	13.6	16.4	17.2	18.8	15.4
40p	15.6	18.4	19.2	20.8	17.4



Material / Finish

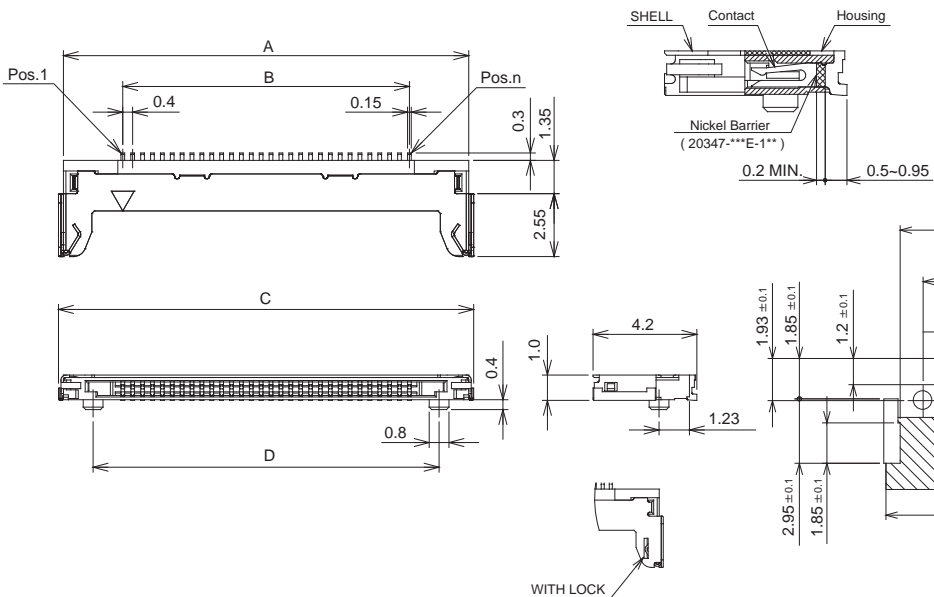
HOUSING	LCP UL94V-0	BLACK
CONTACT	COPPER ALLOY	Au
SHELL A	STAINLESS STEEL	Sn
SHELL B	COPPER ALLOY	Sn



MATED VIEW

RECEPTACLE

POS.	PART NO.	A	B	C	D	G	H
10p	20347-*10E-***	8.4	3.6	8.8	6.0	8.1	9.4
15p	20347-*15E-***	10.4	5.6	10.8	8.0	10.1	11.4
20p	20347-*20E-***	12.4	7.6	12.8	10.0	12.1	13.4
25p	20347-*25E-***	14.4	9.6	14.8	12.0	14.1	15.4
30p	20347-*30E-***	16.4	11.6	16.8	14.0	16.1	17.4
35p	20347-*35E-***	18.4	13.6	18.8	16.0	18.1	19.4
40p	20347-*40E-***	20.4	15.6	20.8	18.0	20.1	21.4



Material / Finish

HOUSING	LCP UL94V-0	BLACK
CONTACT	COPPER ALLOY	Au
SHELL	COPPER ALLOY	Sn

RECOMMENDED PATTERN LAYOUT