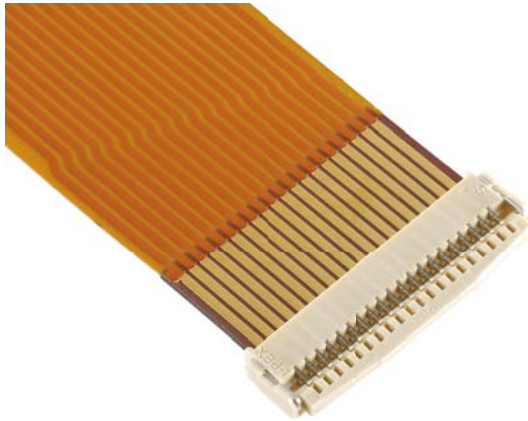


MINIFLEX 5-BFN II

0.5mm Pitch
Horizontal Type
Narrow Back Lock Type



- Profile Height : 1.0mm
- Depth : 3.5mm* (with actuator closed) Narrow Type
The base projected area is reduced 29%
(compared with MINIFLEX5-BF)
- Higher reliability structure
- The unique Cam structure prevents the actuator from coming off
- Prevent Half-Lock with unique actuator design
- Available for either top or bottom FPC conductor

*Depth of Long Actuator type (20586 and 20666) : 4.0mm

【Number of Positions】

Standard Actuator type

4p, 6p, 8p, 10p, 12p, 14p, 16p,
18p, 20p, 22p, 24p, 26p, 28p, 30p

Long Actuator type

32p, 34p, 40p, 50p, 54p

【Ordering Code】

Standard Actuator type

FPC Thickness 0.3mm type

20542- 0 ** E - 01

① ③

FPC Thickness 0.2mm type

20607- 0 ** E - 01

① ③

Long Actuator type

FPC Thickness 0.3mm type

20586- 0 ** E - 01

② ③

FPC Thickness 0.2mm type

20666- 0 ** E - 01

② ③

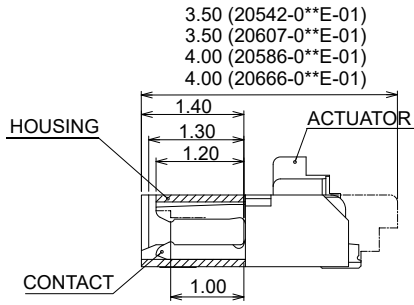
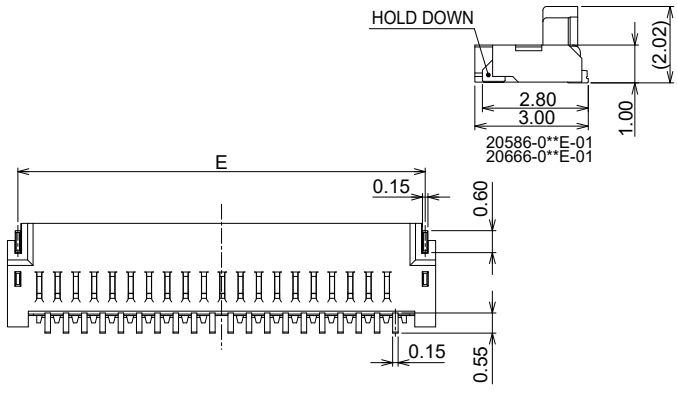
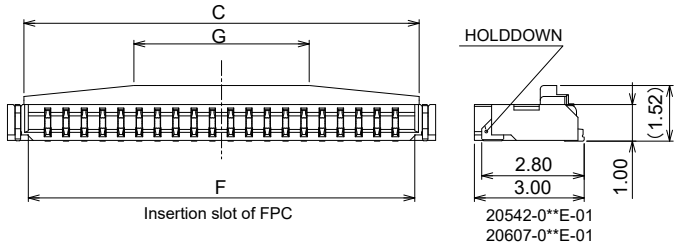
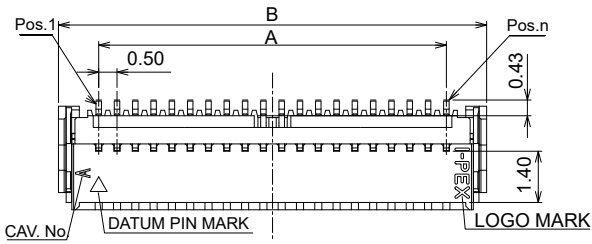
【Applicable Thickness of FPC】

FPC Thickness	0.3 ±0.05mm	(20542-0**E-01) (20586-0**E-01)
	0.2 ±0.03mm	(20607-0**E-01) (20666-0**E-01)

①	POS.	04: 4pos 06: 6pos 08: 8pos 10: 10pos 12: 12pos 14: 14pos 16: 16pos 18: 18pos 20: 20pos 22: 22pos 24: 24pos 26: 26pos 28: 28pos 30: 30pos					
②		32: 32pos 34: 34pos 40: 40pos 50: 50pos 54: 54pos					
③	Packaging	E	Emboss Tape				

【Material / Finish】

Parts	Material	Plating / Color
HOUSING	HEAT RESISTING PLASTICS, UL94V-0	BEIGE
ACTUATOR	HEAT RESISTING PLASTICS, UL94V-0	BEIGE
CONTACT	COPPER ALLOY	Au
HOLD DOWN	COPPER ALLOY	Sn

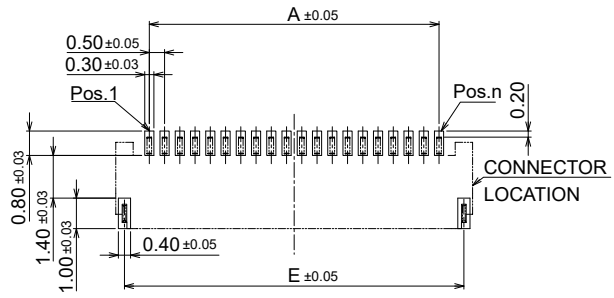


20542-0**E-01 (Standard type , FPC Thickness 0.3mm)
 20607-0**E-01 (Standard type , FPC Thickness 0.2mm)

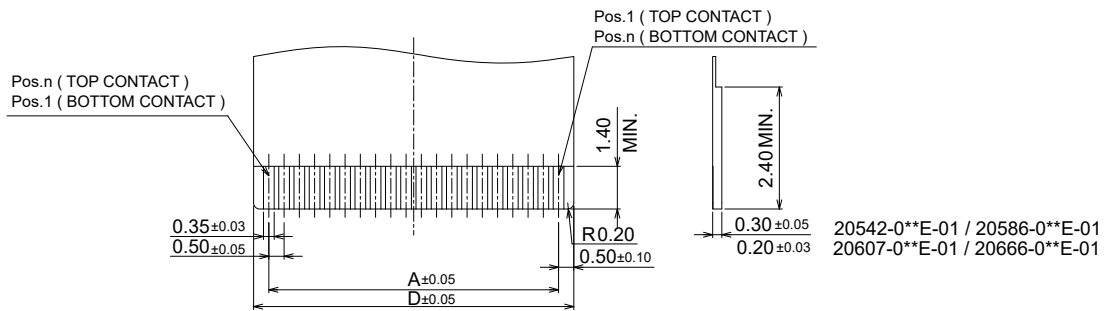
POS.	A	B	C	D	E	F	G
4p	1.50	3.70	2.80	2.50	3.15	2.56	1.80
6p	2.50	4.70	3.80	3.50	4.15	3.56	2.80
8p	3.50	5.70	4.80	4.50	5.15	4.56	3.80
10p	4.50	6.70	5.80	5.50	6.15	5.56	4.80
12p	5.50	7.70	6.80	6.50	7.15	6.56	5.80
14p	6.50	8.70	7.80	7.50	8.15	7.56	6.80
16p	7.50	9.70	8.80	8.50	9.15	8.56	7.80
18p	8.50	10.70	9.80	9.50	10.15	9.56	8.80
20p	9.50	11.70	10.80	10.50	11.15	10.56	9.80
22p	10.50	12.70	11.80	11.50	12.15	11.56	10.80
24p	11.50	13.70	12.80	12.50	13.15	12.56	11.80
26p	12.50	14.70	13.80	13.50	14.15	13.56	12.80
28p	13.50	15.70	14.80	14.50	15.15	14.56	13.80
30p	14.50	16.70	15.80	15.50	16.15	15.56	14.80

20586-0**E-01 (Long Actuator type, FPC Thickness 0.3mm)
 20666-0**E-01 (Long Actuator type, FPC Thickness 0.2mm)

POS.	A	B	C	D	E	F	G
32p	15.50	17.70	16.80	16.50	17.15	16.56	10.8
34p	16.50	18.70	17.80	20.50	18.15	17.56	11.8
40p	19.50	21.70	20.80	20.50	21.15	20.56	10.8
50p	24.50	26.70	25.80	25.50	26.15	25.56	10.8
54p	26.50	28.70	27.80	27.50	28.15	27.56	12.8



RECOMMENDED PATTERN LAYOUT



RECOMMENDED FPC PATTERN