

Part No.
 HDR-E26LPAH5
 No. of Pos. Color Marking

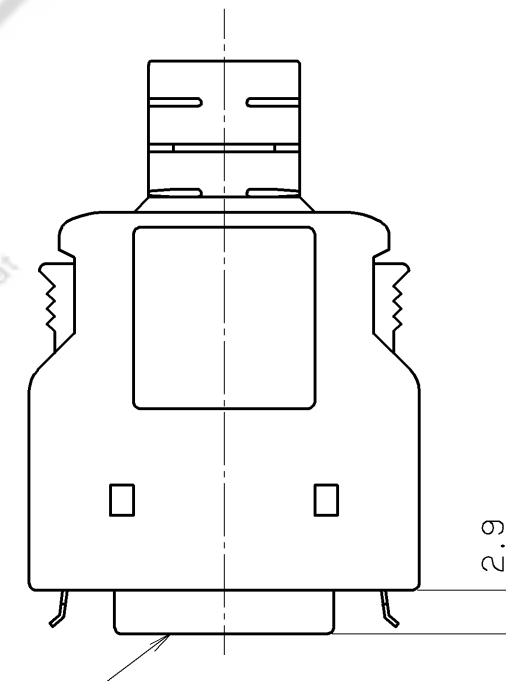
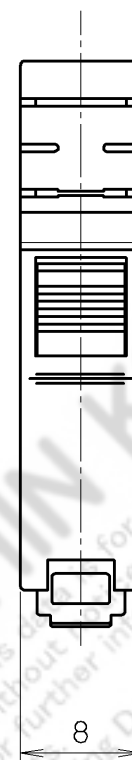
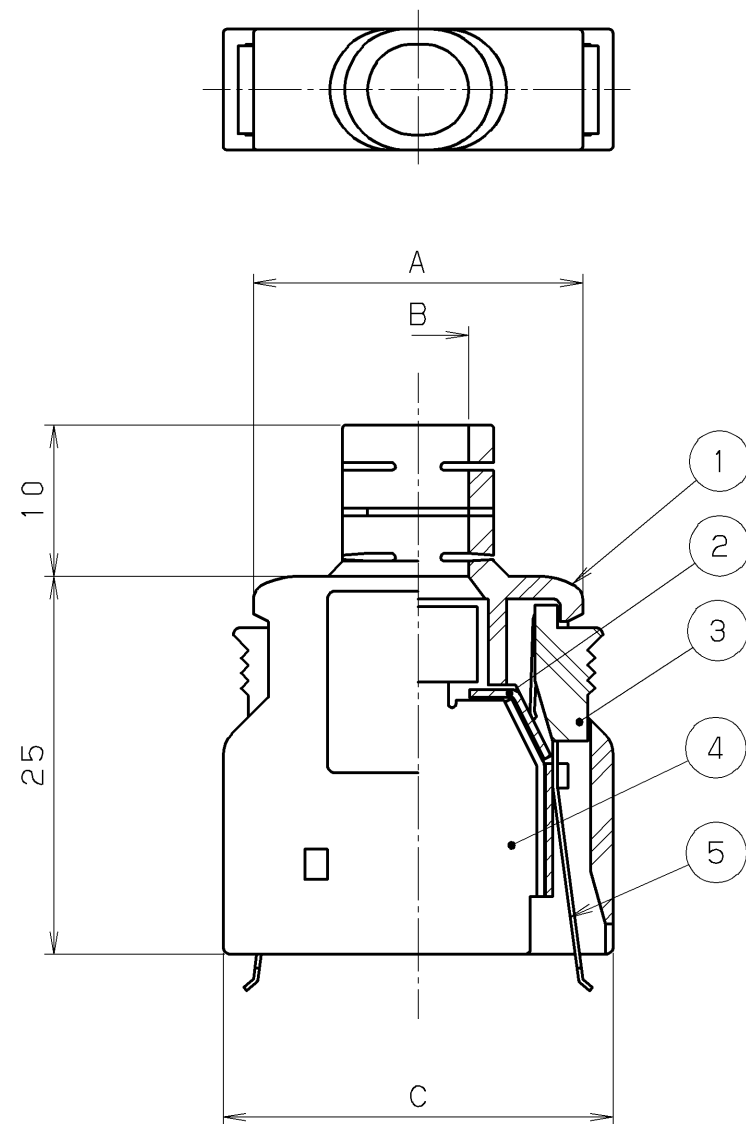
Marking
 JAPAN
 HONDA
 MARKING

HDR-E () LPA () H	—	HONDA JAPAN
HDR-E () LPA5 ()	BLACK	—
HDR-E () LPA ()	GRAY	—
PART NO.	COLOR	MARKING

HDR-E50LPA () ()	50	31.4	7x8.7	35.4	∅7.3
HDR-E26LPA () ()	26	21.8	6x7	25.8	∅5.9
HDR-E14LPA () ()	14	17.0	∅5.6	21.0	∅5.1
PART NO.	NO. OF POS.	A	B	C	APPLICABLE CABLE O. D.
DIMENSIONS					

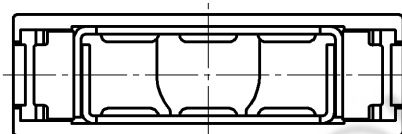
- NOTE #1. APPLICABLE CABLE OUTER DIAMETER: SEE TABLE
 #2. APPLICABLE CONNECTOR PART NUMBER: HDR-E () M ()
 #3. COLOR, MARKING: SEE TABLE

△				5	LOCK SPRING	STAINLESS STEEL	2	—	—	
△				4	INNER SHELL A	STEEL	1	NICKEL PLATING	—	
△				3	BUTTON	ABS RESIN	2	—	UL94V-0 COLOR SEE NOTE #3	
△				2	INNER SHELL B	STEEL	1	NICKEL PLATING	—	
△				1	PLASTIC COVER	ABS RESIN	1	—	UL94V-0 COLOR SEE NOTE #3	
LTR.	DATE	BY	REV.	DESCRIP	No.	PART NAME	MATERIAL	QTY	FINISH	NOTE
DATE		SCALE		UNIT		3RD. A. P				
Mar. 10. 2005		2 / 1		mm (INCH)		HONDA TSUSHIN KOGYO CO., LTD.				
APP. DATE & REV.						NAME				
DR. DE. CHK. CHK. APP.						HDR-E TYPE SHIELDED COVER				
Y. KATO Y. KATO — C. NUNOKAWA H. EBIHARA						PART NO. HDR-E () LPA () ()				
						REV. A				



HDR-E () MAG1

NOTE 1. APPLICABLE CABLE
 WIRE SIZE: AWG#30 (7/0.1), Ø0.58 (CORE JACKET O. D)
 SHIELDED: SINGLE BRAIDS
 OUTER DIAMETER OF JACKET (PVC)



HDR-E26LPA-LS	26	21.8	6x7	25.8
HDR-E14LPA-LS	14	17.0	Ø5.6	21.0
PART NO.	NO. OF POS.	A	B	C
DIMENSIONS				

LTR.	DATE	BY	REV.	DESCRIPT	No.	PART NAME	MATERIAL	QTY	FINISH	NOTE
					5	LOCK SPRING	STAINLESS STEEL	2		
					4	INNER SHELL A	STEEL	1	NICKEL PLATING	
					3	BUTTON	ABS RESIN	2		UL94V-0 GRAY
					2	INNER SHELL B	STEEL	1	NICKEL PLATING	
					1	PLASTIC COVER	ABS RESIN	1		UL94V-0 GRAY
DATE						SCALE	UNIT	3RD. A. P		
MAR.19.1999						2 / 1	mm (INCH)	HONDA TSUSHIN KOGYO CO., LTD.		
APP. DATE&REV.						NAME HDR-E TYPE SHIELDED COVER				
DR.	DE.	CHK.	CHK.	APP.	PART NO. HDR-E () LPA-LS					
Y. KATO	Y. KATO	K. HOMMA	K. SATO	Y. HIRAI	REV.					