

1. CONTACT PLATING  
 MATING AREA: 0.76 MICROMETERS MINIMUM GOLD PLATING  
 TERMINATION AREA: 0.05 MICROMETERS MINIMUM GOLD PLATING  
 UNDERPLATING: NICKEL PLATING  
 2. APPLICABLE HOOD  
 HDR-26LPH ( )

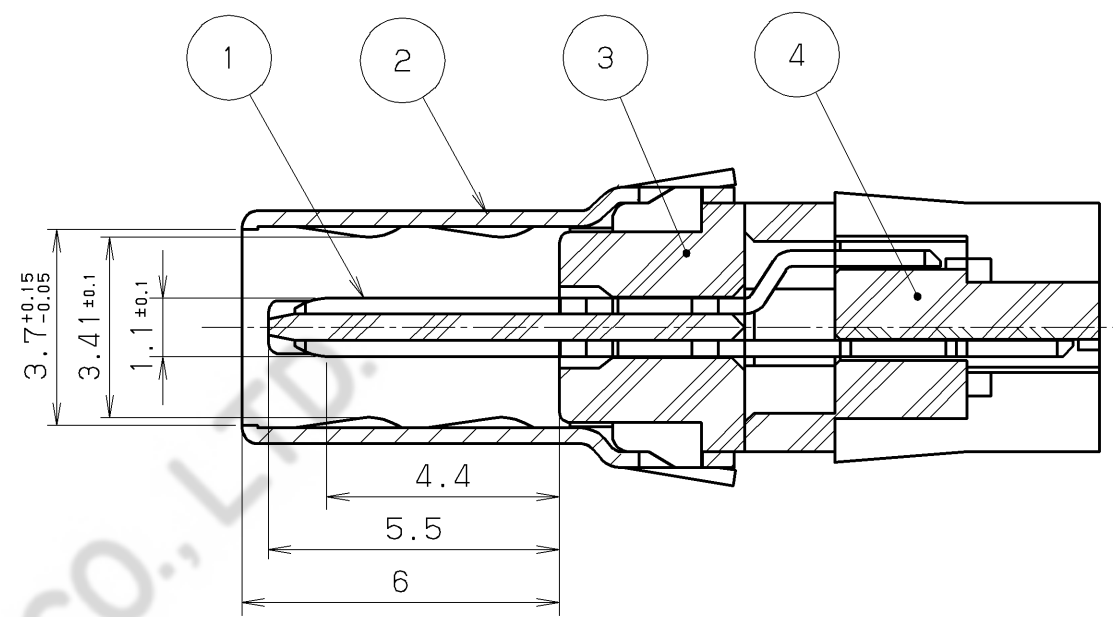
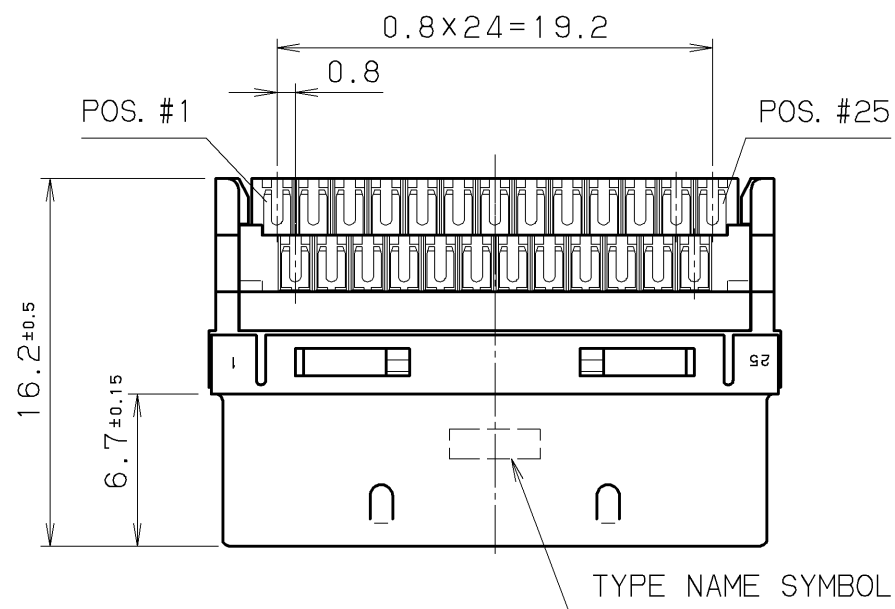
3. MATING CONNECTOR  
 HDR-EA26LFY ( ) G1+  
 HDR-E26LFY ( ) G1+  
 HDR-EC26LFDT ( ) +

4. SPECIFICATION  
 RATED CURRENT 0.5A  
 RATED VOLTAGE 125V AC (r. m. s.)

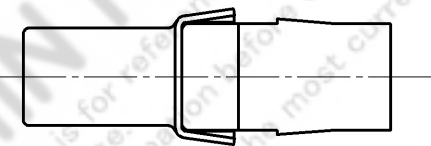
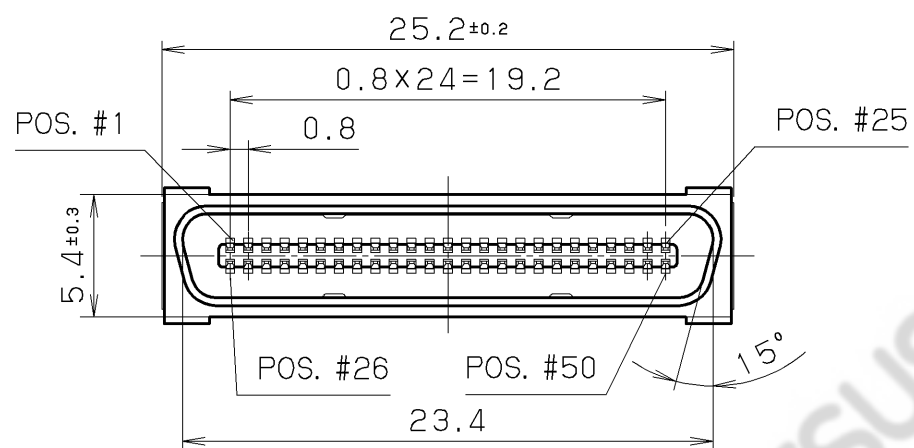
LTR.	DATE	BY	REV.	DESCRIPT	No.	PART NAME	MATERIAL	QTY	FINISH	NOTE
△	Apr. 23 2007	Y. K		SHAPE (SPACER)	4	SPACER	PA9T (GF)	1	—	UL94V-0 BLACK
△	MAR. 17 2006	M. M		REVISE	3	INSULATOR	PBT (GF)	1	—	UL94V-0 BLACK
△	JUN. 19 2005	M. M		CHANGE MATERIAL AND FORM	2	SHELL	STEEL	1	NICKEL PLATING	—
△					1	MALE CONTACT	PHOSPHOR BRONZE	26	NOTE#1	—

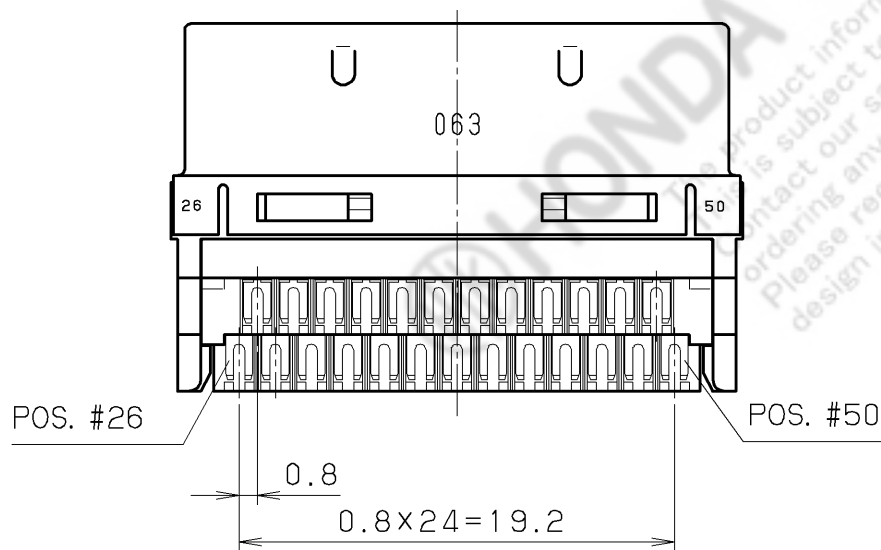
DATE	SCALE	UNIT	3RD. A. P		HONDA TSUSHIN KOGYO CO., LTD.				
Oct. 20. 2004	3 / 1	mm (INCH)							
APP. DATE & REV.									
DR.	DE.	CHK.	CHK.	APP.	NAME		0.8mm SPACING SHIELDED MALE CABLE CONNECTOR		
Y. KATO	M. MIYAZAKI	—	C. NUNOKAWA	K. KASHIO	PART NO.		HDR-E26MSG1+ △		REV. 3C



CONTACT DETAIL



1. CONTACT PLATING  
MATING AREA: 0.76 MICRO METERS MINIMUM GOLD PLATING  
TERMINATION AREA: 0.05 MICRO METERS MINIMUM GOLD PLATING  
UNDERPLATING: NICKEL PLATING
2. APPLICABLE HOOD  
HDR-E50LPH
3. MATING CONNECTOR  
HDR-EC50LFDT ( ) ( ) +
4. SPECIFICATION  
RATED CURRENT 0.5A  
RATED VOLTAGE 125V AC (r. m. s.)



LTR.	DATE	BY	REV.	DESCRIPT	No.	PART NAME	MATERIAL	QTY	FINISH	NOTE	
					4	SPACER	PA9T (GF)	1	—	UL94V-0 BLACK	
					3	INSULATOR	PBT (GF)	1	—	UL94V-0 BLACK	
					2	SHELL	STEEL	1	NICKEL PLATING	—	
					1	MALE CONTACT	PHOSPHOR BRONZE	50	NOTE#1	—	
DATE					SCALE	UNIT	3RD. A. P				
Mar. 13, 2006					3 / 1	mm (INCH)	HONDA TSUSHIN KOGYO CO., LTD.				
APP. DATE&REV.					DR.	DE.	CHK.	CHK.	APP.	NAME	0.8mm SPACING SHIELDED MALE CABLE CONNECTOR
					Y. KATO	Y. KATO	—	—	H. EBIHARA	PART NO.	HDR-E50MSG1+
										REV.	