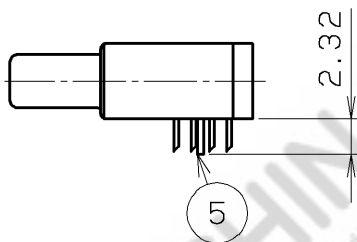
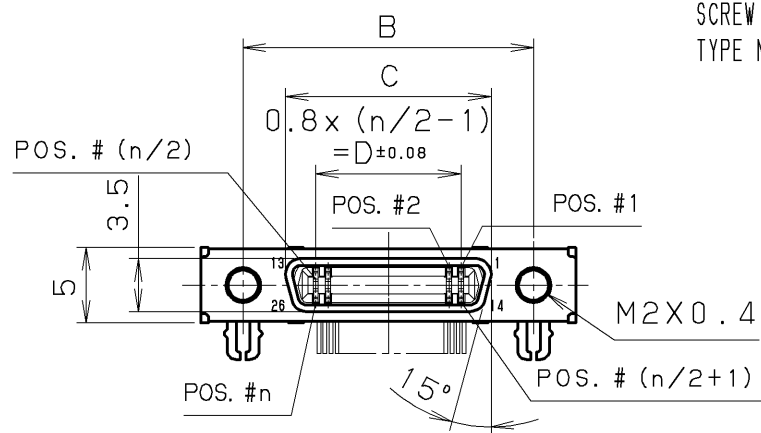
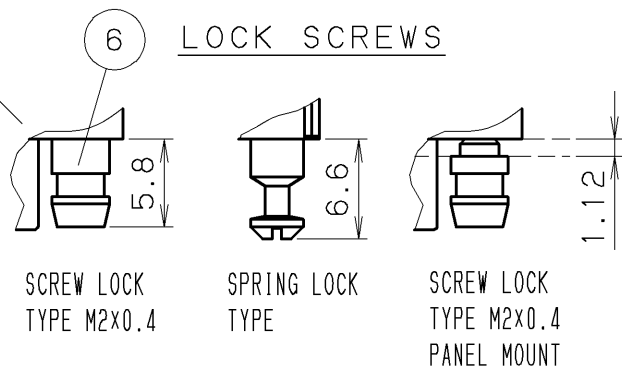
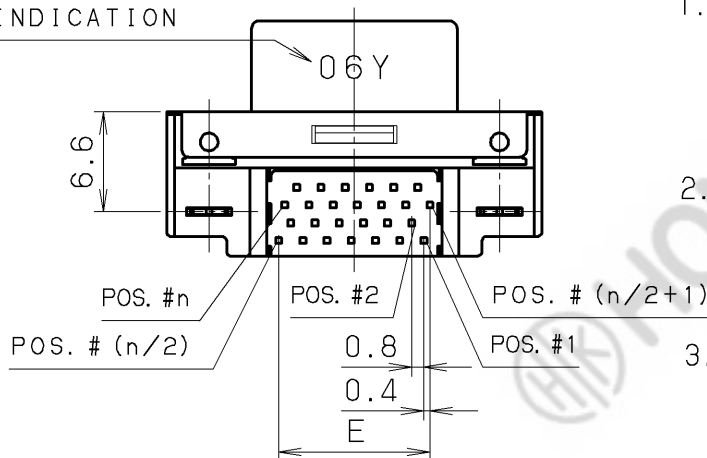


PART No.	TYPE	NOTE
HDR-EC () LFDTG2+	—	—
HDR-EC () LFDTG2-SLD+	SCREW LOCK TYPE	—
HDR-EC () LFDTG2-SLE+	SPRING LOCK TYPE	—
HDR-EC () LFDTG2-SLG+	SCREW LOCK (PANEL MOUNT)	SEE NOTE. #4



DATE CODE INDICATION



NOTE

1. CONTACT PLATING

MATING AREA : 0.76 MICRO METERS MINIMUM GOLD PLATING
TERMINATION AREA : 0.05 MICRO METERS MINIMUM GOLD PLATING

UNDERPLATING : NICKEL PLATING

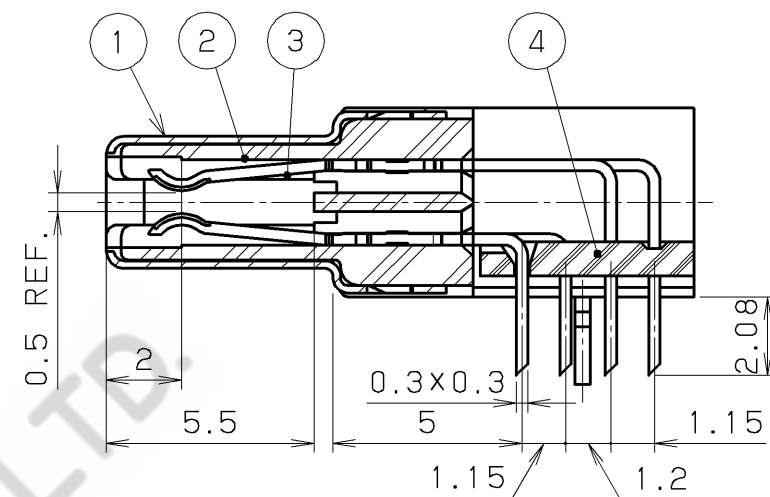
2. MATING CONNECTOR

HDR-E () MAG1+

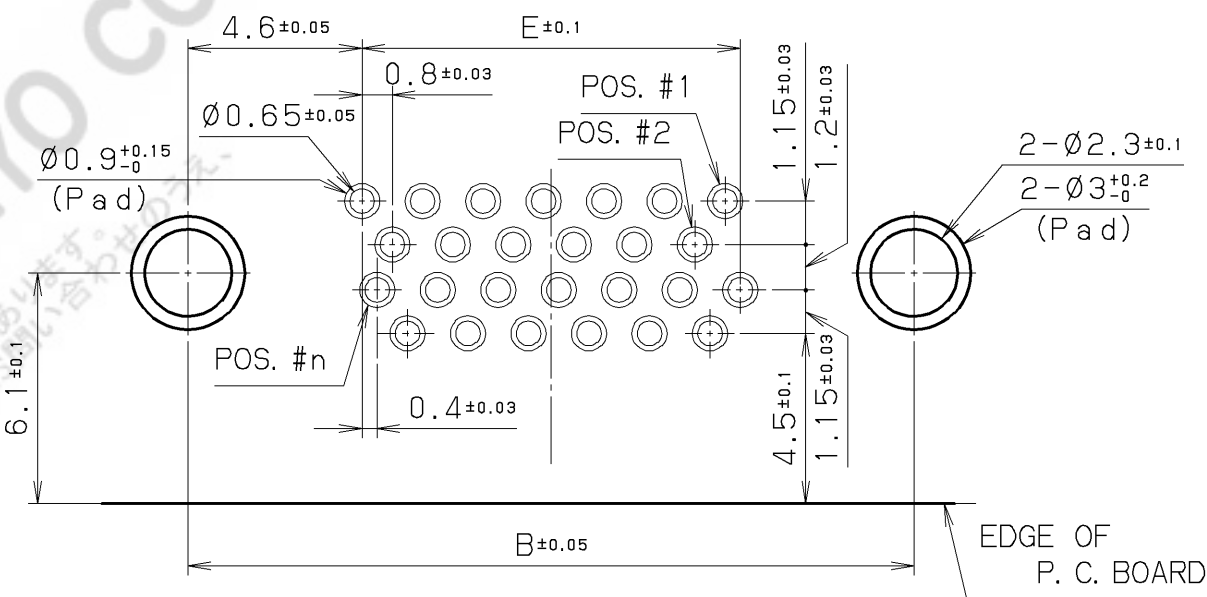
3. SPECIFICATION

RATED CURRENT 0.5A
RATED VOLTAGE 125V AC (r. m. s.)

4. TWO LOCK SCREWS ARE SUPPLIED WITH A CONNECTOR.



CONTACT DETAIL



RECOMMENDED P.C.B. LAYOUT (MOUNT SIDE VIEW)
(t=1.6 SCALE=5/1)

PART NO.	n (NO. OF POS.)	A	B	C	D	E	
HDR-EC50LFDTG2- () +	50	34.4	28.8	23.2	0.8x24=19.2	19.6	△
HDR-EC26LFDTG2- () +	26	24.8	19.2	13.6	0.8x12=9.6	10	
HDR-EC14LFDTG2- () +	14	20	14.4	8.8	0.8x6=4.8	5.2	

6	LOCK SCREW	STEEL	2	NICKEL PLATING	—
5	BOARD LOCK	PHOSPHOR BRONZE	2	TIN PLATING	—
4	BRACKET	PPS (GF)	1	—	UL94V-0 BLACK
3	FEMALE CONTACT	PHOSPHOR BRONZE	n	NOTE. #1	—
2	INSULATOR	PA9T (GF)	1	—	UL94V-0 BLACK
1	SHELL	STEEL	1	NICKEL PLATING	—

LTR.	DATE	BY	REV.	DESCRIPT	No.	PART NAME	MATERIAL	QTY	FINISH	NOTE
△										
△										
△	Nov. 29 2007	Y. K	Add	50 pos.						
DATE: Nov. 21, 2006						SCALE: 2 / 1		UNIT: mm (INCH)		3RD. A. P
APP. DATE & REV.						HONDA TSUSHIN KOGYO CO., LTD.				
DR. Y. KATO		DE. Y. KATO		CHK. —		CHK. —		APP. K. KASHIO		NAME: 0.8mm SPACING RIGHTANGLE FEMALE CONNECTOR
PART NO.		HDR-EC () LFDTG2- () +		REV. 1A						