

积层带导线陶瓷电容器

一般等级

中耐压 (100 to 630V)

FK 系列

Type: FK28、FK18
 FK24、FK14
 FK26、FK16
 FK20、FK11
 FK22

Issue date: March 2013

积层带导线陶瓷电容器

一般等级

RoHS指令对应产品

中耐压 (100 to 630V)

FK系列

特点

- 针对高电压的独特设计结构，体积小而具有高耐压的特性。
- 额定电压Edc: 可适应100, 250, 630V。
- 通过导线上设置扭结的成型加工，在插件时能保持同一高度，焊接时能使气体更容易排放，从而提高焊接的可靠性。

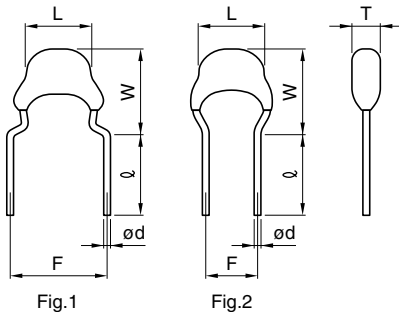
- 也可提供有自动插件用的编带规格，从而可以降低插件成本。

产品名称的识别法

FK 28 X7R 2A 102 K □□□□
 (1) (2) (3) (4) (5) (6) (7)

(1)系列名称

(2)尺寸·导线形状



(4)额定电压Edc

2A	100V
2E	250V
2J	630V

(5)标称电容

以 pF(微微法拉) 为单位，并用三位数表示。

最初两位数：有效数字

最后一位数：接在有效数字后的零数

102	1,000pF
333	33,000pF
474	470,000pF

(6)电容公差

记号	容差
J	±5%
K	±10%

(7)本公司内部管理记号

型号	最大 L	最大 W	最大 T	F	φ	φd	图
28	4.0	5.5	2.5	5.0±1.0	7±2	0.5+0.1, -0.03	1
24	4.5	5.5	2.5	5.0±1.0	7±2	0.5+0.1, -0.03	1
26	5.5	6.0	3.5	5.0±1.0	7±2	0.5+0.1, -0.03	1
20	5.5	7.0	4.0	5.0±1.0	7±2	0.5+0.1, -0.03	1
22	7.5	8.0	4.0	5.0±1.0	7±2	0.5+0.1, -0.03	1
18	4.0	5.5	2.5	2.5±0.8	5+3, -1	0.5+0.1, -0.03	2
14	4.5	5.5	2.5	2.5±0.8	5+3, -1	0.5+0.1, -0.03	2
16	5.5	6.0	3.5	2.5±0.8	5+3, -1	0.5+0.1, -0.03	2
11	5.5	7.0	4.0	2.5±0.8	5+3, -1	0.5+0.1, -0.03	2

(3)电容温度特性

种类1 (温度补偿用)

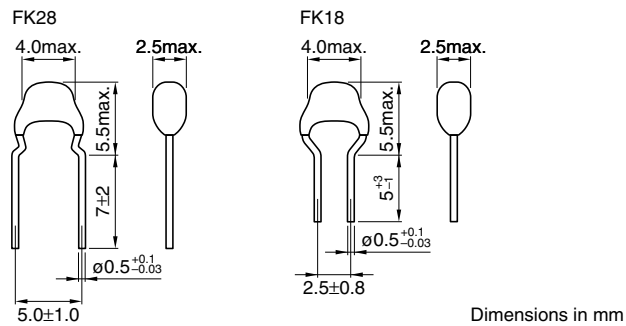
温度特性	温度系数	温度范围
C0G	0±30ppm/°C	-55 to +125°C

种类2 (高介电率类)

温度特性	容量变化率	温度范围
X7R	±15%	-55 to +125°C
X7S	±22%	-55 to +125°C

● RoHS 指令的对应：表示除了依据 EU Directive 2002/95/EC 免除的用途之外，未使用铅，镉，汞，六价铬及特定溴系难燃剂 PBB，PBDE 等。

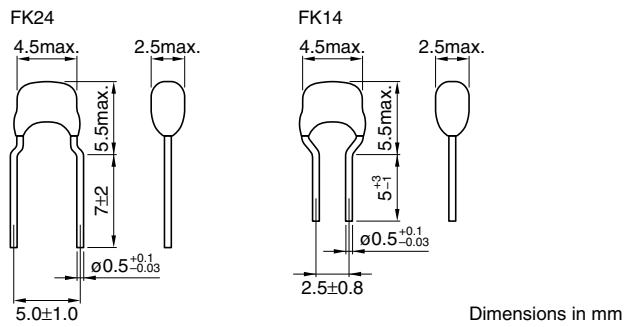
· 记载内容，在没有予告的情况下有可能改进和变更，请予以谅解。

电容取得范围：种类 1（温度补偿用）
FK28、FK18 型
形状・尺寸

额定电压 Edc: 100 to 250V

温度特性	电容	容差	额定电压 E _{dc} (V)	品名	
				FK28 型	FK18 型
C0G	100pF	±5%	100	FK28C0G2A101J	FK18C0G2A101J
C0G	120pF	±5%	100	FK28C0G2A121J	FK18C0G2A121J
C0G	150pF	±5%	100	FK28C0G2A151J	FK18C0G2A151J
C0G	180pF	±5%	100	FK28C0G2A181J	FK18C0G2A181J
C0G	220pF	±5%	100	FK28C0G2A221J	FK18C0G2A221J
C0G	270pF	±5%	100	FK28C0G2A271J	FK18C0G2A271J
C0G	330pF	±5%	100	FK28C0G2A331J	FK18C0G2A331J
C0G	390pF	±5%	100	FK28C0G2A391J	FK18C0G2A391J
C0G	470pF	±5%	100	FK28C0G2A471J	FK18C0G2A471J
C0G	560pF	±5%	100	FK28C0G2A561J	FK18C0G2A561J
C0G	680pF	±5%	100	FK28C0G2A681J	FK18C0G2A681J
C0G	820pF	±5%	100	FK28C0G2A821J	FK18C0G2A821J
C0G	1000pF	±5%	100	FK28C0G2A102J	FK18C0G2A102J
C0G	1200pF	±5%	100	FK28C0G2A122J	FK18C0G2A122J
C0G	100pF	±5%	250	FK28C0G2E101J	FK18C0G2E101J
C0G	120pF	±5%	250	FK28C0G2E121J	FK18C0G2E121J
C0G	150pF	±5%	250	FK28C0G2E151J	FK18C0G2E151J
C0G	180pF	±5%	250	FK28C0G2E181J	FK18C0G2E181J
C0G	220pF	±5%	250	FK28C0G2E221J	FK18C0G2E221J
C0G	270pF	±5%	250	FK28C0G2E271J	FK18C0G2E271J
C0G	330pF	±5%	250	FK28C0G2E331J	FK18C0G2E331J
C0G	390pF	±5%	250	FK28C0G2E391J	FK18C0G2E391J
C0G	470pF	±5%	250	FK28C0G2E471J	FK18C0G2E471J
C0G	560pF	±5%	250	FK28C0G2E561J	FK18C0G2E561J
C0G	680pF	±5%	250	FK28C0G2E681J	FK18C0G2E681J

FK24、FK14 型

形状・尺寸

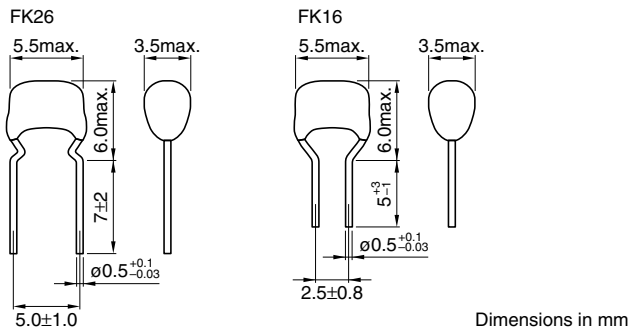


额定电压 Edc: 100 to 250V

温度特性	电容	容差	额定电压 E _{dc} (V)	品名	
				FK24 型	FK14 型
C0G	1000pF	±5%	100	FK24C0G2A102J	FK14C0G2A102J
C0G	1200pF	±5%	100	FK24C0G2A122J	FK14C0G2A122J
C0G	1500pF	±5%	100	FK24C0G2A152J	FK14C0G2A152J
C0G	1800pF	±5%	100	FK24C0G2A182J	FK14C0G2A182J
C0G	2200pF	±5%	100	FK24C0G2A222J	FK14C0G2A222J
C0G	2700pF	±5%	100	FK24C0G2A272J	FK14C0G2A272J
C0G	3300pF	±5%	100	FK24C0G2A332J	FK14C0G2A332J
C0G	3900pF	±5%	100	FK24C0G2A392J	FK14C0G2A392J
C0G	4700pF	±5%	100	FK24C0G2A472J	FK14C0G2A472J
C0G	820pF	±5%	250	FK24C0G2E821J	FK14C0G2E821J
C0G	1000pF	±5%	250	FK24C0G2E102J	FK14C0G2E102J
C0G	1200pF	±5%	250	FK24C0G2E122J	FK14C0G2E122J
C0G	1500pF	±5%	250	FK24C0G2E152J	FK14C0G2E152J
C0G	1800pF	±5%	250	FK24C0G2E182J	FK14C0G2E182J
C0G	2200pF	±5%	250	FK24C0G2E222J	FK14C0G2E222J
C0G	2700pF	±5%	250	FK24C0G2E272J	FK14C0G2E272J

FK26、FK16 型

形状・尺寸

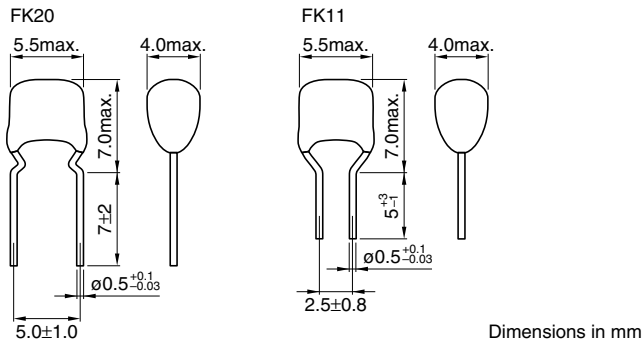


额定电压 Edc: 100 to 630V

温度特性	电容	容差	额定电压 E _{dc} (V)	品名	
				FK26 型	FK16 型
C0G	3900pF	±5%	100	FK26C0G2A392J	FK16C0G2A392J
C0G	4700pF	±5%	100	FK26C0G2A472J	FK16C0G2A472J
C0G	5600pF	±5%	100	FK26C0G2A562J	FK16C0G2A562J
C0G	6800pF	±5%	100	FK26C0G2A682J	FK16C0G2A682J
C0G	8200pF	±5%	100	FK26C0G2A822J	FK16C0G2A822J
C0G	10000pF	±5%	100	FK26C0G2A103J	FK16C0G2A103J
C0G	3300pF	±5%	250	FK26C0G2E332J	
C0G	3900pF	±5%	250	FK26C0G2E392J	
C0G	4700pF	±5%	250	FK26C0G2E472J	
C0G	5600pF	±5%	250	FK26C0G2E562J	
C0G	6800pF	±5%	250	FK26C0G2E682J	
C0G	8200pF	±5%	250	FK26C0G2E822J	
C0G	100pF	±5%	630	FK26C0G2J101J	
C0G	120pF	±5%	630	FK26C0G2J121J	
C0G	150pF	±5%	630	FK26C0G2J151J	
C0G	180pF	±5%	630	FK26C0G2J181J	
C0G	220pF	±5%	630	FK26C0G2J221J	
C0G	270pF	±5%	630	FK26C0G2J271J	
C0G	330pF	±5%	630	FK26C0G2J331J	
C0G	390pF	±5%	630	FK26C0G2J391J	
C0G	470pF	±5%	630	FK26C0G2J471J	
C0G	560pF	±5%	630	FK26C0G2J561J	
C0G	680pF	±5%	630	FK26C0G2J681J	
C0G	820pF	±5%	630	FK26C0G2J821J	
C0G	1000pF	±5%	630	FK26C0G2J102J	
C0G	1200pF	±5%	630	FK26C0G2J122J	
C0G	1500pF	±5%	630	FK26C0G2J152J	
C0G	1800pF	±5%	630	FK26C0G2J182J	
C0G	2200pF	±5%	630	FK26C0G2J222J	
C0G	2700pF	±5%	630	FK26C0G2J272J	
C0G	3300pF	±5%	630	FK26C0G2J332J	

FK20、FK11 型

形状・尺寸

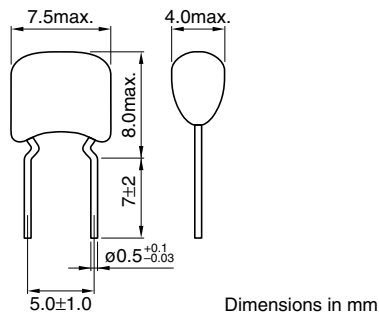


额定电压 Edc: 100 to 630V

温度特性	电容	容差	额定电压 E _{dc} (V)	品名 FK20 型	品名 FK11 型
C0G	15000pF	±5%	100	FK20C0G2A153J	FK11C0G2A153J
C0G	22000pF	±5%	100	FK20C0G2A223J	FK11C0G2A223J
C0G	33000pF	±5%	100	FK20C0G2A333J	FK11C0G2A333J
C0G	47000pF	±5%	100	FK20C0G2A473J	FK11C0G2A473J
C0G	10000pF	±5%	250	FK20C0G2E103J	
C0G	15000pF	±5%	250	FK20C0G2E153J	
C0G	3900pF	±5%	630	FK20C0G2J392J	
C0G	4700pF	±5%	630	FK20C0G2J472J	
C0G	5600pF	±5%	630	FK20C0G2J562J	
C0G	6800pF	±5%	630	FK20C0G2J682J	

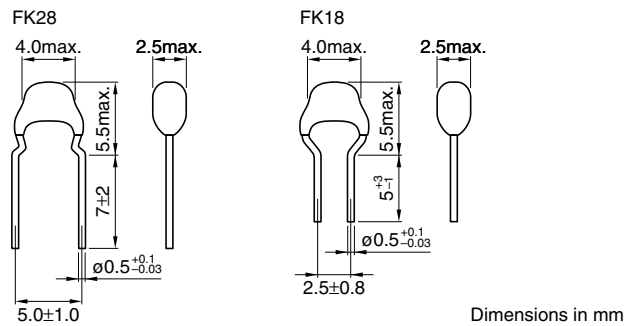
FK22 型

形状・尺寸



额定电压 Edc: 100 to 630V

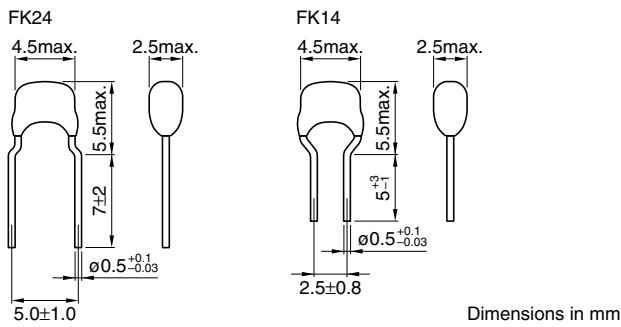
温度特性	电容	容差	额定电压 E _{dc} (V)	品名 FK22 型
C0G	68000pF	±5%	100	FK22C0G2A683J
C0G	0.1μF	±5%	100	FK22C0G2A104J
C0G	22000pF	±5%	250	FK22C0G2E223J
C0G	33000pF	±5%	250	FK22C0G2E333J
C0G	47000pF	±5%	250	FK22C0G2E473J
C0G	8200pF	±5%	630	FK22C0G2J822J
C0G	10000pF	±5%	630	FK22C0G2J103J
C0G	15000pF	±5%	630	FK22C0G2J153J
C0G	22000pF	±5%	630	FK22C0G2J223J

电容取得范围：种类 2（高介电率类）
FK28、FK18 型
形状·尺寸

额定电压 Edc: 100 to 250V

温度特性	电容	容差	额定电压 E _{dc} (V)	品名	
				FK28 型	FK18 型
X7R	1000pF	±10%	100	FK28X7R2A102K	FK18X7R2A102K
X7R	1500pF	±10%	100	FK28X7R2A152K	FK18X7R2A152K
X7R	2200pF	±10%	100	FK28X7R2A222K	FK18X7R2A222K
X7R	3300pF	±10%	100	FK28X7R2A332K	FK18X7R2A332K
X7R	4700pF	±10%	100	FK28X7R2A472K	FK18X7R2A472K
X7R	6800pF	±10%	100	FK28X7R2A682K	FK18X7R2A682K
X7R	10000pF	±10%	100	FK28X7R2A103K	FK18X7R2A103K
X7R	15000pF	±10%	100	FK28X7R2A153K	FK18X7R2A153K
X7R	22000pF	±10%	100	FK28X7R2A223K	FK18X7R2A223K
X7S	33000pF	±10%	100	FK28X7S2A333K	FK18X7S2A333K
X7S	47000pF	±10%	100	FK28X7S2A473K	FK18X7S2A473K
X7S	68000pF	±10%	100	FK28X7S2A683K	FK18X7S2A683K
X7S	0.1μF	±10%	100	FK28X7S2A104K	FK18X7S2A104K

FK24、FK14 型

形状・尺寸

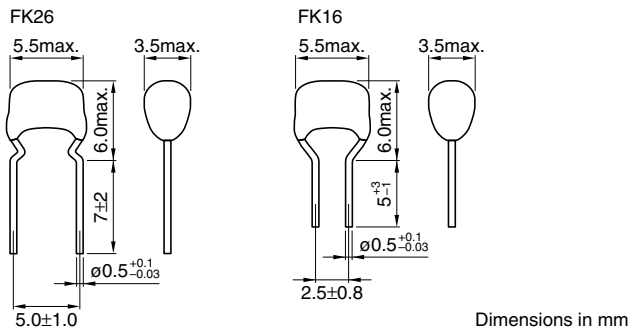


额定电压 Edc: 100 to 250V

温度特性	电容	容差	额定电压 E _{dc} (V)	品名	
				FK24 型	FK14 型
X7R	1000pF	±10%	100	FK24X7R2A102K	FK14X7R2A102K
X7R	1500pF	±10%	100	FK24X7R2A152K	FK14X7R2A152K
X7R	2200pF	±10%	100	FK24X7R2A222K	FK14X7R2A222K
X7R	3300pF	±10%	100	FK24X7R2A332K	FK14X7R2A332K
X7R	4700pF	±10%	100	FK24X7R2A472K	FK14X7R2A472K
X7R	6800pF	±10%	100	FK24X7R2A682K	FK14X7R2A682K
X7R	10000pF	±10%	100	FK24X7R2A103K	FK14X7R2A103K
X7R	15000pF	±10%	100	FK24X7R2A153K	FK14X7R2A153K
X7R	22000pF	±10%	100	FK24X7R2A223K	FK14X7R2A223K
X7R	33000pF	±10%	100	FK24X7R2A333K	FK14X7R2A333K
X7R	47000pF	±10%	100	FK24X7R2A473K	FK14X7R2A473K
X7R	68000pF	±10%	100	FK24X7R2A683K	FK14X7R2A683K
X7R	0.1μF	±10%	100	FK24X7R2A104K	FK14X7R2A104K
X7S	0.15μF	±10%	100	FK24X7S2A154K	FK14X7S2A154K
X7S	0.22μF	±10%	100	FK24X7S2A224K	FK14X7S2A224K
X7S	0.33μF	±10%	100	FK24X7S2A334K	FK14X7S2A334K
X7S	0.47μF	±10%	100	FK24X7S2A474K	FK14X7S2A474K
X7S	0.68μF	±10%	100	FK24X7S2A684K	FK14X7S2A684K
X7S	1μF	±10%	100	FK24X7S2A105K	FK14X7S2A105K
X7R	1000pF	±10%	250	FK24X7R2E102K	FK14X7R2E102K
X7R	1500pF	±10%	250	FK24X7R2E152K	FK14X7R2E152K
X7R	2200pF	±10%	250	FK24X7R2E222K	FK14X7R2E222K
X7R	3300pF	±10%	250	FK24X7R2E332K	FK14X7R2E332K
X7R	4700pF	±10%	250	FK24X7R2E472K	FK14X7R2E472K
X7R	6800pF	±10%	250	FK24X7R2E682K	FK14X7R2E682K
X7R	10000pF	±10%	250	FK24X7R2E103K	FK14X7R2E103K
X7R	15000pF	±10%	250	FK24X7R2E153K	FK14X7R2E153K
X7R	22000pF	±10%	250	FK24X7R2E223K	FK14X7R2E223K

FK26、FK16 型

形状・尺寸

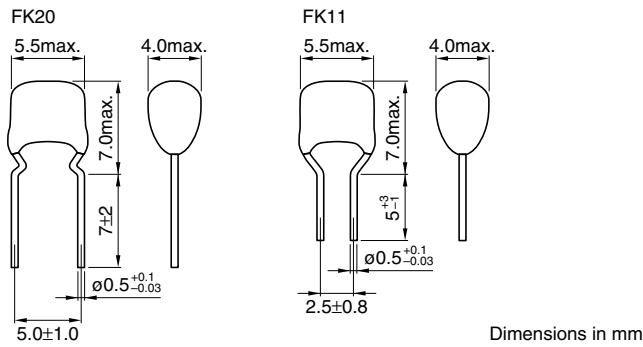


额定电压 Edc: 100 to 630V

温度特性	电容	容差	额定电压 E _{dc} (V)	品名	
				FK26 型	FK16 型
X7R	33000pF	±10%	100	FK26X7R2A333K	FK16X7R2A333K
X7R	47000pF	±10%	100	FK26X7R2A473K	FK16X7R2A473K
X7R	68000pF	±10%	100	FK26X7R2A683K	FK16X7R2A683K
X7R	0.1μF	±10%	100	FK26X7R2A104K	FK16X7R2A104K
X7R	0.15μF	±10%	100	FK26X7R2A154K	FK16X7R2A154K
X7R	0.22μF	±10%	100	FK26X7R2A224K	FK16X7R2A224K
X7R	0.33μF	±10%	100	FK26X7R2A334K	FK16X7R2A334K
X7R	0.47μF	±10%	100	FK26X7R2A474K	FK16X7R2A474K
X7R	0.68μF	±10%	100	FK26X7R2A684K	FK16X7R2A684K
X7R	1μF	±10%	100	FK26X7R2A105K	FK16X7R2A105K
X7S	1.5μF	±10%	100	FK26X7S2A155K	FK16X7S2A155K
X7S	2.2μF	±10%	100	FK26X7S2A225K	FK16X7S2A225K
X7R	15000pF	±10%	250	FK26X7R2E153K	
X7R	22000pF	±10%	250	FK26X7R2E223K	
X7R	33000pF	±10%	250	FK26X7R2E333K	
X7R	47000pF	±10%	250	FK26X7R2E473K	
X7R	68000pF	±10%	250	FK26X7R2E683K	
X7R	0.1μF	±10%	250	FK26X7R2E104K	
X7R	1000pF	±10%	630	FK26X7R2J102K	
X7R	1500pF	±10%	630	FK26X7R2J152K	
X7R	2200pF	±10%	630	FK26X7R2J222K	
X7R	3300pF	±10%	630	FK26X7R2J332K	
X7R	4700pF	±10%	630	FK26X7R2J472K	
X7R	6800pF	±10%	630	FK26X7R2J682K	
X7R	10000pF	±10%	630	FK26X7R2J103K	
X7R	15000pF	±10%	630	FK26X7R2J153K	
X7R	22000pF	±10%	630	FK26X7R2J223K	
X7R	33000pF	±10%	630	FK26X7R2J333K	

FK20、FK11 型

形状・尺寸



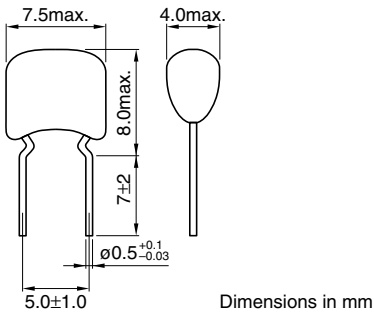
Dimensions in mm

额定电压 Edc: 100 to 630V

温度特性	电容	容差	额定电压 E _{dc} (V)	品名	
				FK20 型	FK11 型
X7R	0.33 μ F	±10%	100	FK20X7R2A334K	FK11X7R2A334K
X7R	0.47 μ F	±10%	100	FK20X7R2A474K	FK11X7R2A474K
X7R	0.68 μ F	±10%	100	FK20X7R2A684K	FK11X7R2A684K
X7R	1 μ F	±10%	100	FK20X7R2A105K	FK11X7R2A105K
X7R	1.5 μ F	±10%	100	FK20X7R2A155K	FK11X7R2A155K
X7R	2.2 μ F	±10%	100	FK20X7R2A225K	FK11X7R2A225K
X7S	3.3 μ F	±10%	100	FK20X7S2A335K	FK11X7S2A335K
X7S	4.7 μ F	±10%	100	FK20X7S2A475K	FK11X7S2A475K
X7R	0.1 μ F	±10%	250	FK20X7R2E104K	
X7R	0.15 μ F	±10%	250	FK20X7R2E154K	
X7R	0.22 μ F	±10%	250	FK20X7R2E224K	
X7R	47000pF	±10%	630	FK20X7R2J473K	
X7R	68000pF	±10%	630	FK20X7R2J683K	

FK22 型

形状・尺寸



Dimensions in mm

额定电压 Edc: 100 to 630V

温度特性	电容	容差	额定电压 E _{dc} (V)	品名	
				FK22 型	
X7R	0.68 μ F	±10%	100	FK22X7R2A684K	
X7R	1 μ F	±10%	100	FK22X7R2A105K	
X7R	1.5 μ F	±10%	100	FK22X7R2A155K	
X7R	2.2 μ F	±10%	100	FK22X7R2A225K	
X7R	0.15 μ F	±10%	250	FK22X7R2E154K	
X7R	0.22 μ F	±10%	250	FK22X7R2E224K	
X7R	0.33 μ F	±10%	250	FK22X7R2E334K	
X7R	0.47 μ F	±10%	250	FK22X7R2E474K	
X7R	0.1 μ F	±10%	630	FK22X7R2J104K	

●要了解没有记载的电容量及产品说明，请向本公司询问。

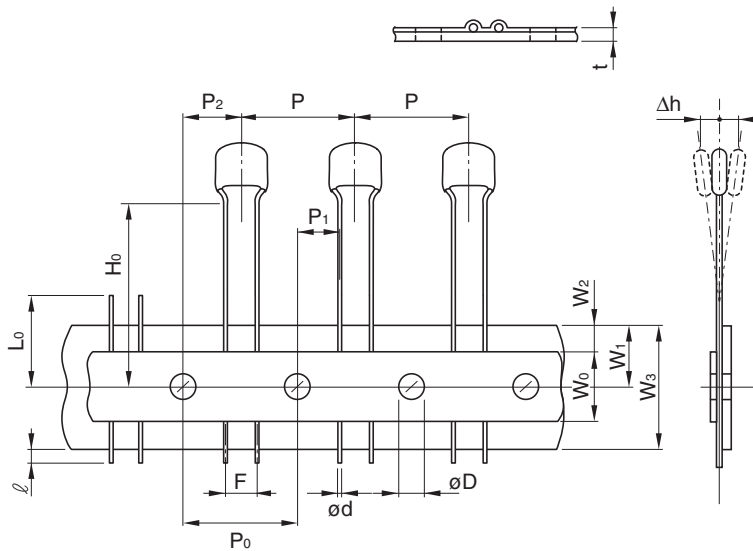
·记载内容，在没有予告的情况下有可能改进和变更，请予以谅解。

包装形式

卷带尺寸

FK1 系列

(FK18、FK14、FK16、FK11 型)



记号	尺寸(mm)
P	12.7±1.0
P ₀ ^{*1}	12.7±0.3
P ₁	5.1±0.7
P ₂	6.35±1.3
W ₀	12.0±1.0
W ₁	9.0±0.5
W ₂ ^{*2}	3.0max.
W ₃	18.0+1.0, -0.5
H ₀	16.0±0.5
ℓ	1.0max.
t	0.6±0.2
L ₀ ^{*3}	11.0max.
F	2.5+0.5, -0.2
ød	ø0.5+0.1, -0.03
øD	ø4.0±0.2
Δh	0±2

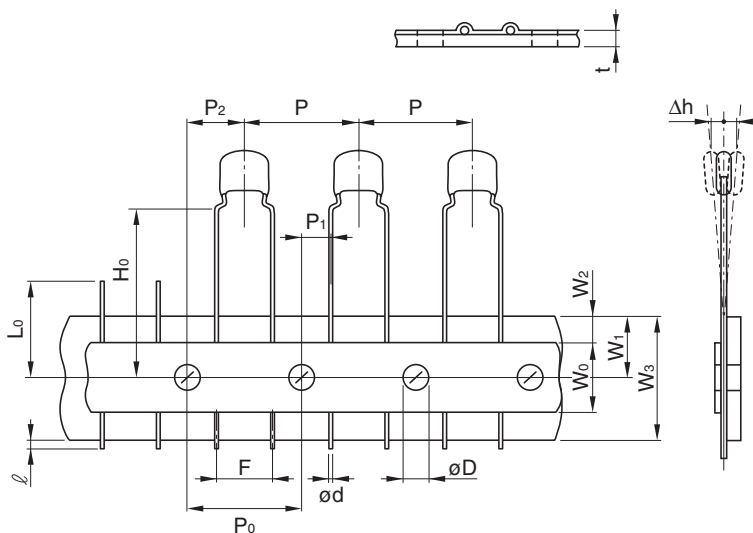
*1 20个间距时的累积间距偏差为±2mm。

*2 粘贴胶带不得超出台纸。

*3 连续未穿入孔的产品不超过3个。

FK2 系列

(FK28、FK24、FK26、FK20、FK22 型)



记号	尺寸(mm)
P	12.7±1.0
P ₀ ^{*1}	12.7±0.3
P ₁	3.85±0.7
P ₂	6.35±1.3
W ₀	12.0±1.0
W ₁	9.0±0.5
W ₂ ^{*2}	3.0max.
W ₃	18.0+1.0, -0.5
H ₀	16.0±0.5
ℓ	1.0max.
t	0.6±0.2
L ₀ ^{*3}	11.0max.
F	5.0+0.8, -0.2
ød	ø0.5+0.1, -0.03
øD	ø4.0±0.2
Δh	0±2

*1 20个间距时的累积间距偏差为±2mm。

*2 粘贴胶带不得超出台纸。

*3 连续未穿入孔的产品不超过3个。

包装个数

型名	个数
FK18、FK28	
FK14、FK24	2000个/1箱
FK16、FK26	
FK11、FK20、K22	1500个/1箱