

MHF[®]-A

1.13 mm OD, 低高度设计, 支持 6 可达GHz

Product Specifications:

Mated Height (mm max.)	1.45	
Rece. SMT Size (mm)	3.0 x 3.0	
Applicable Frequency	DC ~ 6 GHz	
Characteristic Impedance	50 ohm	
VSWR (L=100 mm)	DC~3 GHz	1.3 max.
	3~6 GHz	1.5 max.

*如您需要了解未列出或不在范围内的Pin数, 请咨询我们。

Applicable Cable Size:

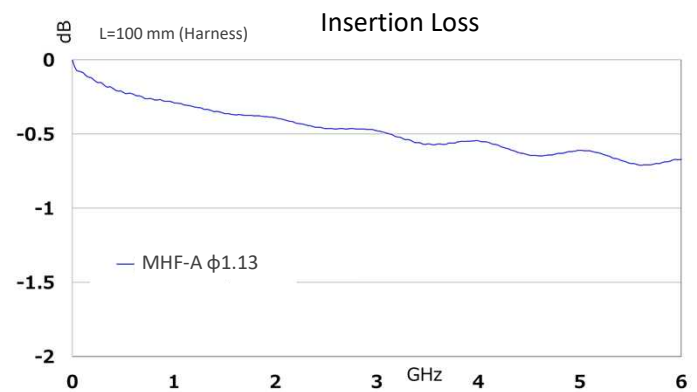
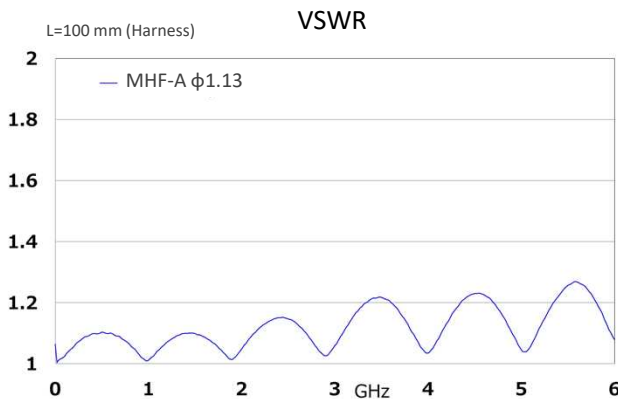
O.D. 1.13 mm / AWG 32

Applicable Standards (Reference Only):

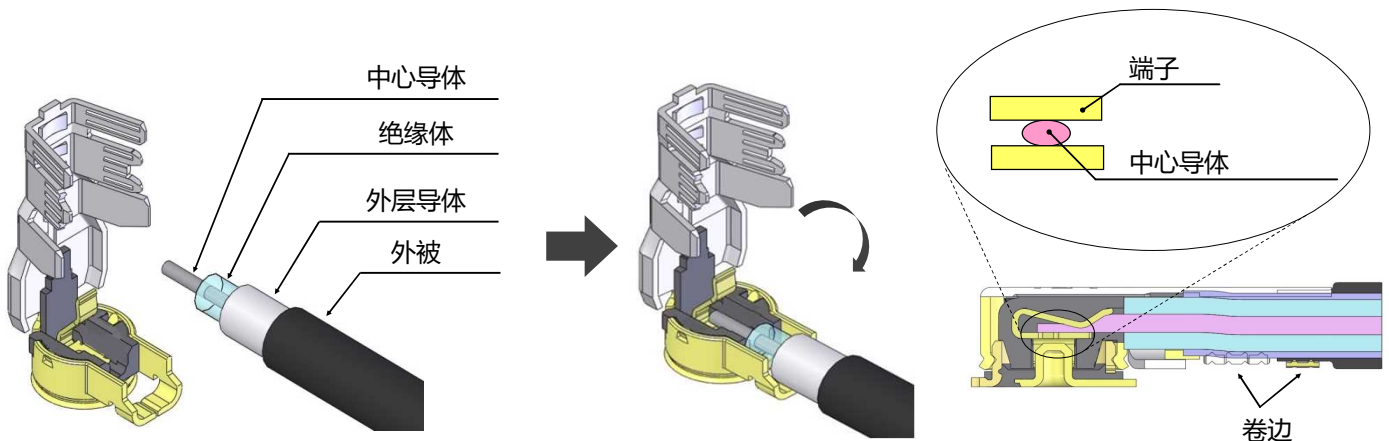
5G sub-6, Wi-Fi 6, LTE/LTE-Advanced, LPWA, Bluetooth, GPS



▶ 对应 6 GHz 的高性能小型连接器



▶ 使用 “i-Fit[®]” 技术的无需焊接极细同轴线连结



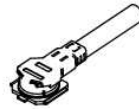
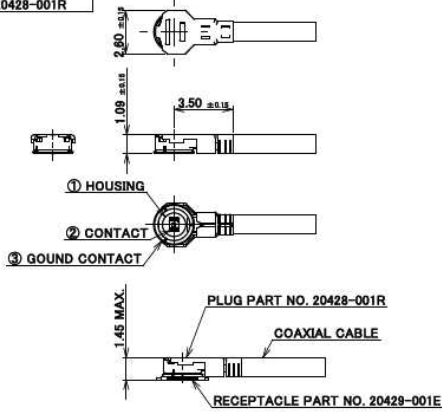
▶ MHF[®]-A 公座适用的极细同轴线外径 (AWG): 1.13 mm (32)

Product name	MHF [®] -A	MHF [®] 4L	
Frequency	DC - 6 GHz	DC - 12 GHz	
Mating Height	1.45 mm max.	1.7 mm max.	1.4 mm max. 1.2 mm max.
Coax O.D. (Center Conductor AWG)	1.37 mm (AWG#30)	●	●
	1.13 mm (AWG#32)	●	●
	0.95 mm (AWG#33)		●
	0.81 mm (AWG#36)		
	0.64 mm (AWG#36)		
Receptacle	MHF-A receptacle	MHF 4 receptacle, MHF 4L receptacle	

Component Parts Details

Plug for Cable Assembly

Recommended P/N	20428-001R
PART NO.	20428-001R



NOTES

1. APPLICABLE CONNECTOR: 20429-001E
2. PERMISSIBLE LOAD OF CABLE AT MATING.
3. SUGGESTIONS FOR MATING & UNMATING OPERATION.

3-1. MATING

PLEASE MATE THE CONNECTOR STRAIGHTLY TO VERTICAL DIRECTION AS MUCH AS POSSIBLE, ADJUSTING THE MATING AXIS OF PLUG AND RECEPTACLE. AS EXCESSIVE SLANT ANGLE MATING MAY BREAK THE CONNECTOR, PLEASE DON'T DO IT.

3-2. UNMATING

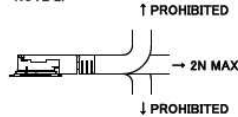
3-2-1.

IN CASE OF UNMATING BY PULLING TOOL. PLEASE USE THE PULLING TOOL AS THE FOLLOWING DRAWING, AND PLEASE PULL PLUG TO VERTICAL DIRECTION AS DIRECTLY AS POSSIBLE.

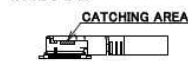
3-2-2.

IN CASE OF UNMATING DIRECTLY BY HAND. PLEASE CATCH THE CATCHING AREA OF PLUG, AND PLEASE PULL PLUG TO VERTICAL DIRECTION AS DIRECTLY AS POSSIBLE.

NOTE 2.



NOTE 3-2-2.



NOTE 3-2-1.



NO.	DESCRIPTION	MATERIAL	FINISH , REMARKS
3	GROUND CONTACT	PHOSPHOR BRONZE	ALL OVER Ni 1.00 μm MIN. CONTACT PART Au 0.05 μm MIN.
2	CONTACT	PHOSPHOR BRONZE	ALL OVER Ni 1.00 μm MIN. CONTACT PART Au 0.1 μm MIN.
1	HOUSING	PBT	UL94V-0, BLACK

Plug for Cable Assembly

ITEMS	SPECIFICATION
APPLICABLE CONNECTOR PART No.	20429-001R
RATING VOLTAGE	60 V AC (R.M.S)
RATING FREQUENCY	DC~6 GHz
OPERATING TEMPERATURE	233~363 K (-40°C~+90°C)
VSWR	1.3 MAX. AT 0.1~3 GHz, 1.5 MAX. AT 3~6 GHz
MAIN CONTACT RESISTANCE	INITIAL : 20 mohm MAX. / AFTER TEST : Δ R 20 mohm MAX.
GROUND CONTACT RESISTANCE	INITIAL : 20 mohm MAX. / AFTER TEST : Δ R 20 mohm MAX.
INSULATION RESISTANCE	INITIAL : 500 Mohm MIN. / AFTER TEST : 100 Mohm MIN.
DIELECTRIC WITHSTANDING VOLTAGE	AC 200 V 1min
DURABILITY	30 CYCLES
TOTAL MATING FORCE (INITIAL / AFTER TEST)	15 N MAX. / 15 N MAX.
TOTAL UNMATING FORCE (INITIAL / AFTER TEST)	4 N MIN. / 2 N MIN.
CRIMP STRENGTH	8 N MIN.
PRODUCT SPECIFICATION	PRS-1350
TEST REPORT	TR-07031
PACKING STANDARD	300-587
INSTRUCTION MANUAL	HIM-11001

Rev.5

PART NO.	20428-001R	
APPLICABLE CABLE NOMINAL DIMENSION		
	MUST NOT USE SOLDER COATED INNER CONDUCTOR AND OUTER CONDUCTOR.	
BRAID SHIELD OF OUTER CONDUCTOR	SINGLE	
PART NO. OF SEMI AUTO TERMINATION MACHINE	90420-013 (SEMI-AUTO)	
CRIMP HEIGHT	 USE FOR POINT MICROMETER. CH-1 (I-Fit® PART) : 1.055~1.105	 USE FOR POINT MICROMETER. CH-2 (JACKET PART) : 1.06~1.13
BARREL GAP		

NOTES

4. APPLICABLE CABLE

4-1. DISCRIPTION

INNER CONDUCTOR: AWG#32 (7/0.08)

SILVER PLATING ANNEALED COPPER WIRE OR SILVER PLATING TIN-COPPER ALLOY.

* MUST NOT USE SOLDER COATED INNER CONDUCTOR.

DIELECTRIC CORE: FLURO-PLASTICS

DIAMETER 0.88 (+0.04/-0.02)MM.

NOMINAL THICKNESS 0.22MM.

OUTER CONDUCTOR: 16/4/0.05

NOMINAL DIAMETER 0.93MM, SILVER PLATING ANNEALED COPPER WIRE.

* MUST NOT USE SOLDER COATED OUTER CONDUCTOR.

JACKET: FLURO-PLASTICS

DIAMETER 1.13 (+0.08/-0.05)MM, NOMINAL THICKNESS 0.1MM.

4-2. REQUIREMENTS

CHARACTERISTIC IMPEDANCE: 50 (+2/-2)OHM BY TDR METHOD

NOMINAL CAPACITANCE (REFER VALUE): 97 PF/M

CONDUCTOR RESISTANCE OF INNER CONDUCTOR AT 293K (REFERENCEVALU)

: 520 OHM/KM

INSULATION RESISTANCE: 1500 MEGA-OHM/KM MIN.

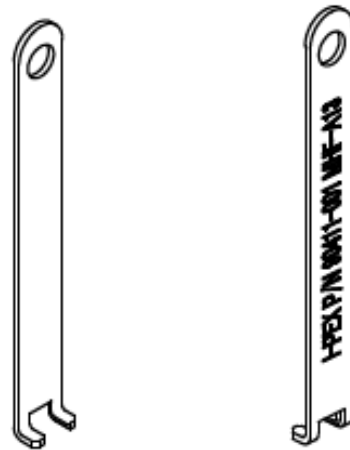
DIELECTRIC WITHSTAND VOLTAGE: NO BREAKDOWN AT AC100V FOR 1 MINUTES.

Rev.5

Accessories for MHF®-A plug



MHF-A13 SMA ADAPTOR
PART NO. 90413-001

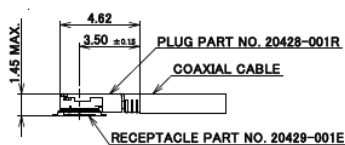
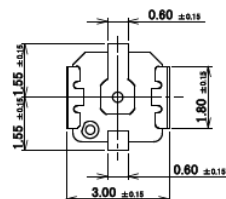
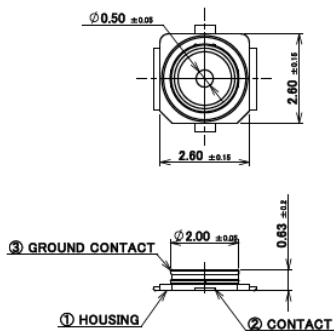


MHF-A13 PULLING TOOL
PART NO. 90411-001

Rev.5

Receptacle for Cable Assembly

Recommended P/N	20429-001E
PART NO.	20429-001E



NOTES
1. APPLICABLE CONNECTOR: 20428-001R
2. COPLANARITY: 0.1 MAX.

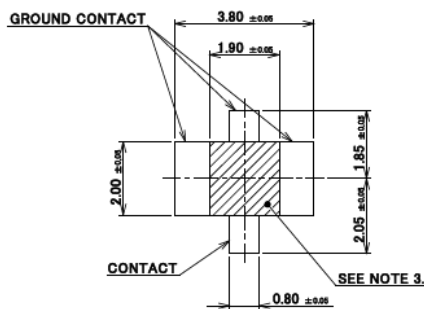
NO.	DESCRIPTION	MATERIAL	FINISH , REMARKS
3	GROUND CONTACT	PHOSPHOR BRONZE	ALL OVER Ni 1.00 μm MIN. CONTACT PART Au 0.03 μm MIN. SOLDERING PART Au 0.03 μm MIN.
2	CONTACT	BRASS	ALL OVER Ni 1.00 μm MIN. CONTACT PART Au 0.05 μm MIN. SOLDERING PART Au 0.05 μm MIN.
1	HOUSING	LCP	UL94V-0, BLACK

Rev.5

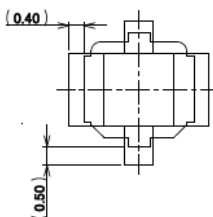
Receptacle for Cable Assembly

ITEMS	SPECIFICATION
APPLICABLE CONNECTOR PART NO.	20428-001E
RATING VOLTAGE	60 V AC (R.M.S)
RATING FREQUENCY	DC~6 GHz
OPERATING TEMPERATURE	233~363 K (-40°C~+90°C)
VSWR	1.3 MAX. AT 0.1~3 GHz, 1.4 MAX. AT 3~6 GHz
MAIN CONTACT RESISTANCE	INITIAL : 20 mohm MAX. / AFTER TEST : ∇ R 20 mohm MAX.
GROUND CONTACT RESISTANCE	INITIAL : 20 mohm MAX. / AFTER TEST : ∇ R 20 mohm MAX.
INSULATION RESISTANCE	INITIAL : 500 Mohm MIN. / AFTER TEST : 100 Mohm MIN.
DIELECTRIC WITHSTANDING VOLTAGE	AC 200 V 1min
DURABILITY	30 CYCLES
TOTAL MATING FORCE (INITIAL / AFTER TEST)	15 N MAX. / 15 N MAX.
TOTAL UNMATING FORCE (INITIAL / AFTER TEST)	4 N MIN. / 2 N MIN.
PRODUCT SPECIFICATION	PRS-1350
TEST REPORT	TR-07031
PACKING STANDARD	300-532
INSTRUCTION MANUAL	HIM-11001
APPEARANCE CRITERIA NO.	QLS-A***

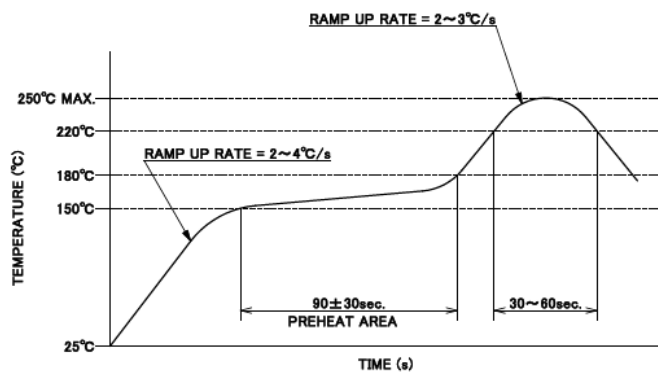
Rev.5



RECOMMENDED FOOTPRINT PATTERN



CONNECTOR ON RECOMMENDED FOOTPRINT PATTERN



REFLOW TEMPERATURE PROFILE
SENJU METAL INDUSTRY CO., LTD. : M705-SHF(Sn98.5 Ag3.0 Cu0.5)

NOTES
3. CUT OUT PROHIBITION AREA

Rev.5

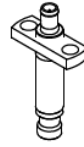
Accessories for MHF®-A Receptacle



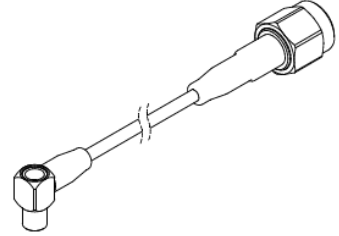
MHF-A13 SMA ADAPTOR
PART NO. 90413-002



MHF-A13 SMA ADAPTOR HIGH CYCLE TYPE
PART NO. 90418-001



4.5MM HIGH CYCLE TEST PROBE FOR MHF/MHF A
PART NO. 90575-0001



4.5MM HIGH CYCLE TEST PROBE CABLE ASSY
PART NO. 90577-****

* 90575-0001 AND 90577-**** SHOULD BE USED TOGETHER.

Rev.5

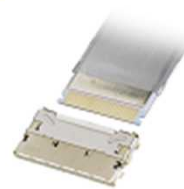
Board to Board



High-Density



Autolocking FPC/FFC



High-Density



FPC/FFC



Micro-Coaxial / Discrete Cable



High-Speed



RF



High-Frequency



Optical Module



High-Speed



Power



High-Power



I/O (Input/Output)



Quick charge

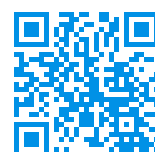


Effector



Custom Connectors Available

Inquiry



I-PEX, MHF, CABLINE, NOVASTACK, EVAFLEX, MINIFLEX, ISH, IARPB, IASLP, ESTORQ, ISFIT, i-Fit and ZenShield are registered trademarks of I-PEX Inc. Please note that the contents in the catalog might be changed without prior notification. I-PEX Inc. assumes no responsibility for any inaccuracies or obligation to update information on these documents. Please be sure to read and understand the latest "Precautions for Use" and "Instruction Manual" before you use our products. We shall not be responsible for any defects, damages or troubles in case you use our products without following the precautions for use. Please feel free to contact our sales representatives when you use our products for any applications that require very high reliability and safety, or that relate to human life (ex. nuclear power control, aerospace, transportation, medical equipment, safety equipment etc.).

Contact your sales representative or more detailed information.

www.i-pex.com



I-PEX

© I-PEX Inc. 2022
All rights reserved.